

IMPORTANT!

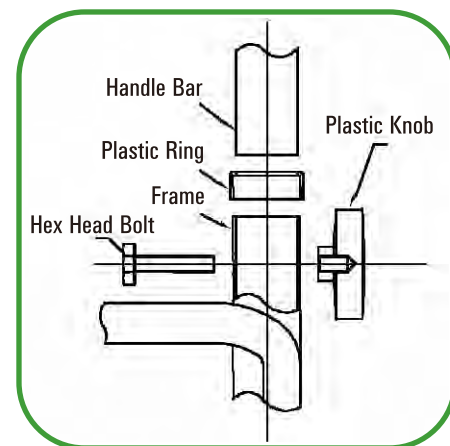
Read Me First!

DO NOT USE AS A WHEELCHAIR

STEP ONE:

Putting your walker together:

1. Upon receiving your walker, please check the contents carefully. Report any missing items to your dealer or Evolution immediately:
2. Contents of all 'Evolution' walkers are as follows:
 - a. Walker mainframe with wheels
 - b. A pair of handles (attached to walker by brake cables)
 - c. Basket
 - d. 2 Handle Knobs, 2 Knob Bolts, 2 Plastic Rings
 - e. Warranty Registration Card
 - f. Tray (Optional Item)
 - g. Back Support (Optional Item)
 - h. Soft Seat Cushion
3. Place plastic rings on the frame (see drawing) Insert handle bars into the frame.
4. Adjust handle height. Put Knob Bolts through from inside. Tighten until it is snug. **Caution: Do Not Overtighten.**



2. Check braking system. The wheels should stay locked while parking brake is activated.
3. Do not activate parking brake while walker is moving. This may cause permanent damage to the wheels.
4. Always activate parking brake before using the seat.

STEP THREE: Maintenance and Care

1. Adjust brake cable from time to time to ensure proper braking. To tighten the brake, loosen brake adjustment A & B. Test brakes for tightness. When desired tightness is reached, tighten A.
2. Check tightness of nut and bolts regularly.
3. Check frame and tire integrity at least once a month.



Folding, Unfolding and Carrying your walker:

To FOLD your Evolution walker, push down on both brakes to lock them. Lift the walker up by the handhold in the seat, the walker will fold and should stand by itself.

To UNFOLD back to the OPERATING POSITION, simply push the walker by the handles rolling it forward with the brakes still in the park position.

To CARRY your walker, lift the walker by the handhold in the seat and carry your walker like a suitcase.

Brakes:

Apply the brakes by pulling both brake handles upwards. Do not walk with brakes on.

Parking Brakes:

Press down on both brake handles until you hear a distinct click sound. Always make sure that both brakes are engaged. Pull upwards to release the parking brakes. When using the seat both brakes MUST be in the locked position for your safety.

STEP TWO:

Checking the brakes and wheels:

1. The Evolution braking system provides safety and ease of operation. Hold (squeeze) to brake and press down on the brake handle for parking.



Brake Adjusting:

From time to time you might need to adjust the tension on the brake cable system. To increase the tension on the brake cable simply loosen brake adjusting nut "A", unscrew the knurled end piece "B" and turn it COUNTER CLOCKWISE about four complete turns. "A" and "B" are found at the back of the brake handle. When desired tension is reached, retighten the nut. No tools are necessary to perform this adjustment.

Handle height adjustment:

To adjust the handles to a suitable height, stand behind the walker with your shoulders level. The handles should be at the same height or slightly higher than the user's wrist. A therapist might suggest a different handle height to accommodate a specific need for the user.

Adjusting handles on Evolution Series: Regular, Low, Wide and Low Wide
Loosen the triangular knob, pull up or push down on the handle to the suitable height and retighten the knob.

Adjusting handles on Piper, Horizon, Challenger and Sprite Series:

Loosen and remove the knob completely, remove the bolt. Adjust the handle to suitable height. Insert the bolt into the hexagonal hole on the frame, screw the knob onto the bolt and tighten.

Installing basket:

Attach the basket to the crossbar supporting the seat with the hooks on the basket.

Installing cushion:

Stretch elastic outer edge of cushion over the walker seat. The Evolution logo should face up.

Assistance:

Your nearest Evolution dealer will be pleased to assist you with the assembly and or maintenance of your walker.

Factory Repair Information

Evolution's motto is 'Committed to Providing Unsurpassed Quality &

Service'. Our goal is to provide you the best service in the industry. If you encounter problems with your Evolution Walker or need help, please:

1. **Review your documentation:** You will find printed documentation shipped with your Evolution Walker. They contain maintenance guides and installation information.
2. **Call or visit your Evolution dealer:** They will be able to give you the assistance you need and determine if your walker is eligible for warranty.
3. **Contact Evolution Customer Service at:** 1-800-556-2558 (U.S. and Canada)

For Warranty Service, Repair or Replacement:

If you have to return your walker to Evolution for warranty service, there are a few things we'll need from you. First, the walker must include a Merchandize Return Authorization (MRA) number. You can obtain a MRA number by calling the Evolution Customer Service number listed above. Be prepared to provide 1) the unit model number, 2) the serial number, and 3) a description of the problem.

For Out-of-Warranty Service or Repair:

If your walker is out of warranty or is not eligible for warranty, we will give you an estimate over the phone.

Ship the walker to:

Obtain the address of the Service Depot nearest to you from your Evolution Customer Service Representative.

A few things to remember:

If the problems with your walker are deemed to be results of improper use, such as hitting curbs, hit-opening doors, etc., it will not be covered under warranty. We reserve the right to determine if your walker has been misused. When you return your walker, remember to write the MRA number on the outside of the box. Be sure to include the return address. We know that you need the walker badly so we will service the walker within 2 working days after receiving it and it will be on its way back to you. If we cannot service your walker within 2 working days after receipt, we will send you a new one!



2530 Davies Avenue, Port Coquitlam, B.C. Canada, V3C 2J9
Tel / Tél: 604-472-0200 • Fax / Télécopie: 604-472-0251
• Toll Free / Sans Frais: 1-800-556-2558
info@evolution.ca

www.evolution.ca

